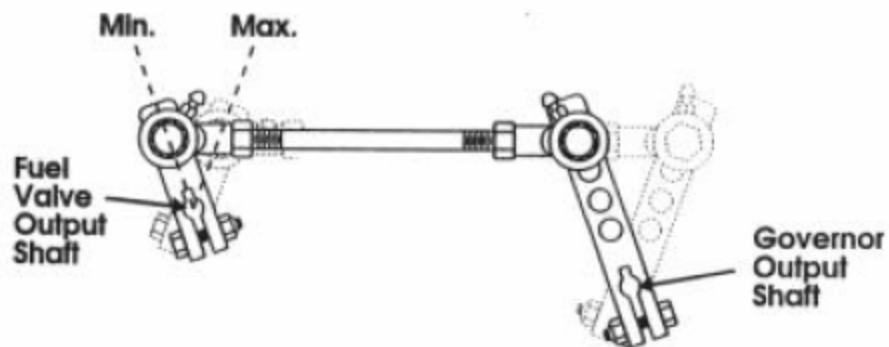


Canadian

Governor & Control Systems



Mechanical Linkage Checks:

1. Check for binding or seizing.
2. Check for Lost motion
3. Check for worn bearings in rod ends.
4. Check for alignment.